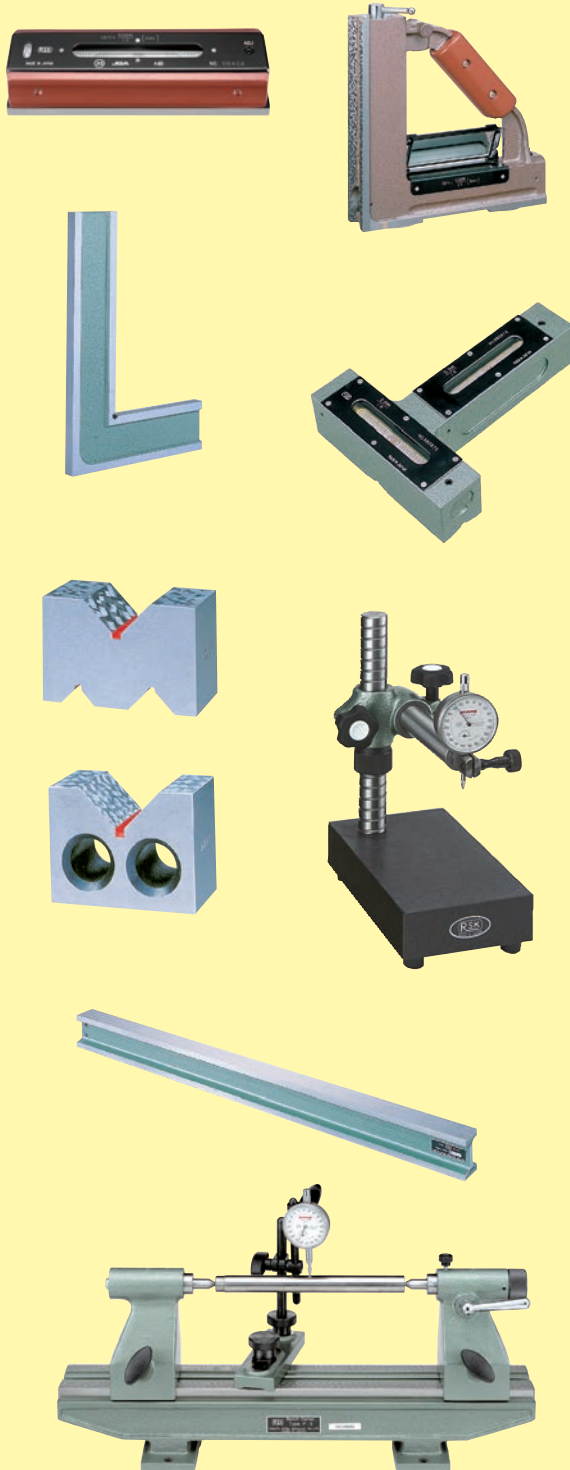




NIIGATA RIKEN SOKUHAN CO.,LTD.

GENERAL CATALOG



Precision Level P1~P10

Square P11~P16

Straight Edge P17~P21

V Block P22~P23

Dial Comparator P24~P25

Bench Center P26~P30

Applied Equipment P31

Protractor P32

INDEX

Precision Level

541AA	Precision Square Level	Grade AA1
541A	//	Grade A	
541B	//	Grade B	
541	//	Basic Type	
542AA	Precision Flat Level	Grade AA3
542A	//	Grade A	
542B	//	Grade B	
542	//	Basic Type	
583	Magnetic Square Type Precision Level	6
583LM	Magnetic Square Type Precision Level for LM Guide		...7
584	Mini Level	8
740	Precision High Level		
600	Cross-Test Precision Level (T-Type)		
252	Portable Level	9
501	Measuring Level Center		
572	Pocket Level		
574	Square Type Cross Test Level	10
575	Cross Test Level		
576	Round Level		
573	Small Bench Level		

Square

546-1,2	Precision Square With Base	11
547-1,2	Flat-Type Square	12
548-1,2	I -Type Precision Square	13
549	Precision Thick Type Square	14
550	Knife Edged Standard Square		
550-III	Knife Edged Standard Square	15
551	Cylindrical Square		

Straight Edge

553	I Beam Type Straight Edge	17
554A,B	Wide-Type Straight Edge	18
594	Precision Straight Edge I Type	19
595	Precision Straight Edge		
555B	Steel Straight Edge Bevel Type	20
555S	Steel Straight Edge		
556	Standard Steel Straight Edge	21
552	Knife -Type Straight Edge		

V Block

557A,B	Cast Iron V Block	22
558	Precision Steel V Block		
559A,B	Box V Block With Clamp	23
586	Steel V Block With Clamp		

Dial Comparator

561A	Dial Comparator	PH324
561B	//	PH2	
561C	//	561-U	
561D	//	561-US	
610A	Dial Stand	RS-125
610B		RS-2	
610C		RS-3	

Bench Center

562	Bench Center	26
563	Bench Center (P-Type)	27
591	RV-Type Bench Center with V Block Carbide		...28
562S	Slide Guide Type Bench Center		
592	Bench Center (VBType)	29
600	Test Bar		
601	Center	30
602	Reversed Form Center		
	Custom-Made Center		

Applied Equipment

581	Steel Beam Trammel Graduation	31
560	Scal Holde		

Protector

495	Universal Bevel Protector	32
589	Combination Set		
565	Micrometer Stand		

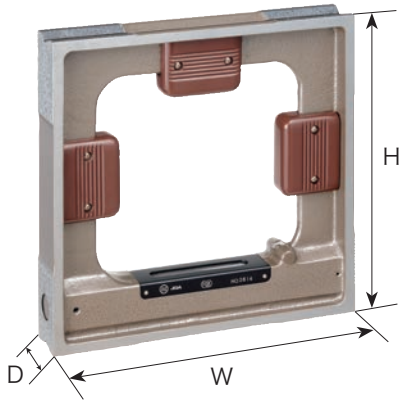
Traceability traceability certificate can be issued.

Precision Square Level

To measure...			
Flatness	Straightness	Squareness	Parallelism
○	○	◎	○

Stock No.541AA (JIS Standard)

Grade AA (JIS) Traceability



Stock No.541A (JIS Standard)

Grade A (JIS) Traceability



Stock No.541B (JIS Standard)

Grade B (JIS) Traceability

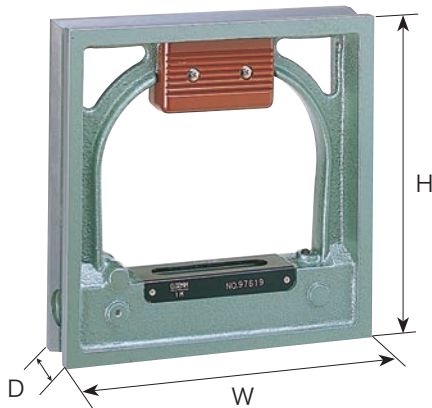


SIZE	W × H × D (mm)	Sensitivity (mm/m)	Net Weight (kg)
150	150 × 150 × 40	0.02 (4") 0.05 (10") 0.1 (20")	2.1
200	200 × 200 × 42		3.8
250	250 × 250 × 50		5.8
300	300 × 300 × 50		7.5

- Grade AA, A and B are manufactured and inspected under the JIS B 7510 standard.
(See P5. for further information on each grade.)
- Grade AA has ±0.2 scale all range accuracy in the main bubble.
- These three types have less than 3µm accuracy in flatness between base and side. (0.02mm/m type)
- Squareness between base and both side is 0.015mm/m. (0.02mm/m for Grade A)
- Grade AA and Grade A have a bubble chamber in which the length of the bubble is manually adjustable.

Stock No.541

Standard Type (NOT JIS standard) Traceability



SIZE	W × H × D (mm)	Sensitivity (mm/m)	Net Weight (kg)
100	100 × 100 × 38	0.02 (4") 0.05 (10") 0.1 (20")	1.0
150	150 × 150 × 42		2.1
200	200 × 200 × 42		3.8
250	250 × 250 × 45		5.8
300	300 × 300 × 45		7.5

■ About Sensitivity

Sensitivity (mm/m) represents either height or angle of gradient which is required to move main bubble a scale.

For example, you will know there is 0.02mm height difference 1m away from where you measure, when the main bubble moves a scale.

■ NOTE

- 0.02mm/m is 4 seconds = 0.0011°
- 0.05mm/m is 10 seconds = 0.00277°
- 0.1mm/m is 20 seconds = 0.0055°

Code Number of Precision Square Level

	Code Number	Size	Sensitivity	Net Weight (kg)
Grade AA	541-1502AA	150	0.02	2.1
	541-2002AA	200		3.8
	541-2502AA	250		5.8
	541-3002AA	300		7.5
	541-1505AA	150	0.05	2.1
	541-2005AA	200		3.8
	541-2505AA	250		5.8
	541-3005AA	300		7.5
	541-1501AA	150	0.1	2.1
	541-2001AA	200		3.8
	541-2501AA	250		5.8
	541-3001AA	300		7.5
Grade A	541-1502A	150	0.02	2.1
	541-2002A	200		3.8
	541-2502A	250		5.8
	541-3002A	300		7.5
	541-1505A	150	0.05	2.1
	541-2005A	200		3.8
	541-2505A	250		5.8
	541-3005A	300		7.5
	541-1501A	150	0.1	2.1
	541-2001A	200		3.8
	541-2501A	250		5.8
	541-3001A	300		7.5
Grade B	541-1502B	150	0.02	2.1
	541-2002B	200		3.8
	541-2502B	250		5.8
	541-3002B	300		7.5
	541-1505B	150	0.05	2.1
	541-2005B	200		3.8
	541-2505B	250		5.8
	541-3005B	300		7.5
	541-1501B	150	0.1	2.1
	541-2001B	200		3.8
	541-2501B	250		5.8
	541-3001B	300		7.5
Standard Type	541-1002	100	0.02	1.0
	541-1502	150		2.1
	541-2002	200		3.8
	541-2502	250		5.8
	541-3002	300		7.5
	541-1005	100	0.05	1.0
	541-1505	150		2.1
	541-2005	200		3.8
	541-2505	250		5.8
	541-3005	300		7.5
	541-1001	100	0.1	1.0
	541-1501	150		2.1
	541-2001	200		3.8
	541-2501	250		5.8
541-3001	300	7.5		



PRECISION LEVEL

Precision Flat Level

To measure...			
Flatness	Straightness	Squareness	Parallelism
⊙	○	×	○

Stock No.542AA
Grade AA (JIS) Traceability



Stock No.542A
Grade A (JIS) Traceability



Stock No.542 B
Grade B (JIS) Traceability



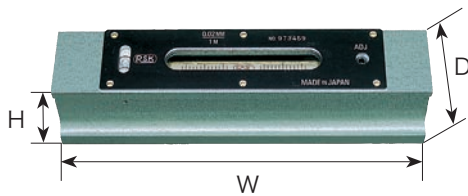
Work Measurement: Grade AA and Grade A

SIZE	W × H × D (mm)	Sensitivity (mm/m)	Net Weight (kg)
150	150 × 45 × 49	0.02 (4") 0.05 (10") 0.1 (20")	1.3
200	200 × 48 × 49		1.7
250	250 × 48 × 49		2.3
300	300 × 48 × 49		2.8

Work Measurement: Grade B

SIZE	W × H × D (mm)	Sensitivity (mm/m)	Net Weight (kg)
150	150 × 48 × 47	0.02 (4") 0.05 (10") 0.1 (20")	1.3
200	200 × 48 × 47		1.7
250	250 × 48 × 47		2.3
300	300 × 48 × 47		2.8

Stock No.542
Standard Type (NOT JIS standard) Traceability



Work Measurement: Standard type

SIZE	W × H × D (mm)	Sensitivity (mm/m)	Net Weight (kg)
100	100 × 48 × 47	0.02 (4") 0.05 (10") 0.1 (20")	0.8
150	150 × 48 × 47		1.3
200	200 × 48 × 47		1.7
250	250 × 48 × 47		2.3
300	300 × 48 × 47		2.8
450	450 × 52 × 50		4.5
600	600 × 52 × 50		6.0

- Grade AA, A and B are manufactured and inspected under the JIS B 7510 standard.
(See P5. for further information on each grade.)
- Grade AA has ±0.2 scale all range accuracy in the main bubble
- Grade AA and Grade A have an insulating material which prevents heat transferring.
- Grade AA and Grade A have a bubble chamber in which the length of the bubble is manually adjustable.



PRECISION LEVEL

	Code Number	Size	Sensitivity	Net Weight (kg)
Grade AA	542-1502AA	150	0.02	1.3
	542-2002AA	200		1.7
	542-2502AA	250		2.3
	542-3002AA	300		2.8
	542-1505AA	150	0.05	1.3
	542-2005AA	200		1.7
	542-2505AA	250		2.3
	542-3005AA	300		2.8
	542-1501AA	150	0.1	1.3
	542-2001AA	200		1.7
	542-2501AA	250		2.3
	542-3001AA	300		2.8
Grade B	542-1502A	150	0.02	1.3
	542-2002A	200		1.7
	542-2502A	250		2.3
	542-3002A	300		2.8
	542-1505A	150	0.05	1.3
	542-2005A	200		1.7
	542-2505A	250		2.3
	542-3005A	300		2.8
	542-1501A	150	0.1	1.3
	542-2001A	200		1.7
	542-2501A	250		2.3
	542-3001A	300		2.8
Grade A	542-1502B	150	0.02	1.3
	542-2002B	200		1.7
	542-2502B	250		2.3
	542-3002B	300		2.8
	542-1505B	150	0.05	1.3
	542-2005B	200		1.7
	542-2505B	250		2.3
	542-3005B	300		2.8
	542-1501B	150	0.1	1.3
	542-2001B	200		1.7
	542-2501B	250		2.3
	542-3001B	300		2.8
Standard Type	542-1002	100	0.02	0.8
	542-1502	150		1.3
	542-2002	200		1.7
	542-2502	250		2.3
	542-3002	300		2.8
	542-4502	450		4.5
	542-6002	600	6.0	
	542-1005	100	0.05	0.8
	542-1505	150		1.3
	542-2005	200		1.7
	542-2505	250		2.3
	542-3005	300		2.8
	542-4505	450		4.5
	542-6005	600	6.0	
	542-1001	100	0.1	0.8
	542-1501	150		1.3
	542-2001	200		1.7
	542-2501	250		2.3
542-3001	300	2.8		
542-4501	450	4.5		
542-6001	600	6.0		



PRECISION LEVEL

Code Number of Precision Square Level

About Grade

Under the JIS standard, guarantee level is different from each grades.

※ Grade AA is our original standard. It adopts more strict inspections than JIS standard.

Precision Square Level

Item		Grade AA			Grade A (JIS B 7510)			Grade B (JIS B 7510)		
		Class 1	Class 2	Class 3	Class 1	Class 2	Class 3	Class 1	Class 2	Class 3
Allowable error of main bubble	All Range	±0.2 Scale or less			±0.5 Scale or less	±0.3 Scale or less		±0.7 Scale or less	±0.5 Scale or less	
	Adjacent Scale	0.2 Scale or less			0.2 Scale or less			0.5 Scale or less		
Squareness bottom to side surface		0.015mm/m or less	0.025mm/m or less		0.015mm/m or less	0.025mm/m or less		0.02mm/m or less	0.035mm/m or less	
Parallelism v groove to surface with v groove		0.5 Scale or less			0.5 Scale or less			0.5 Scale or less		
Parallelism bottom to top side		0.5 Scale or less			0.5 Scale or less			0.5 Scale or less		
Flatness bottom to side surface		0.003mm or less	0.005mm or less		0.003mm or less	0.005mm or less		0.003mm or less	0.005mm or less	

Precision Flat Level

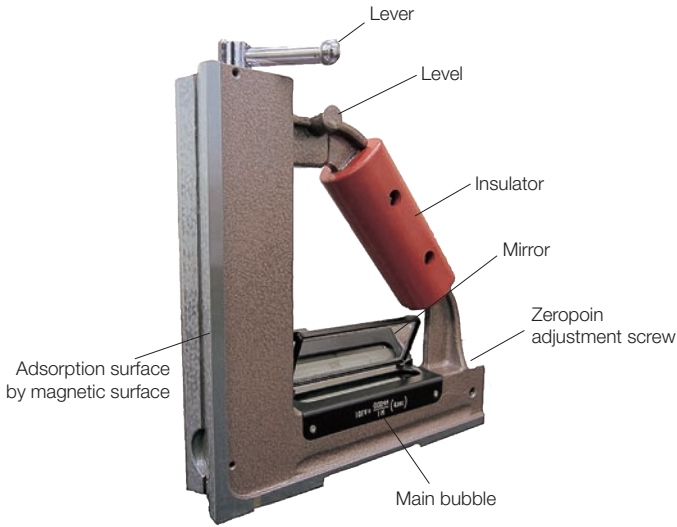
Item		Grade AA			Grade A (JIS B 7510)			Grade B (JIS B 7510)		
		Class 1	Class 2	Class 3	Class 1	Class 2	Class 3	Class 1	Class 2	Class 3
Allowable error of main bubble	All Range	±0.2 Scale or less			±0.5 Scale or less	±0.3 Scale or less		±0.7 Scale or less	±0.5 Scale or less	
	Adjacent Scale	0.2 Scale or less			0.2 Scale or less			0.5 Scale or less		
Parallelism v groove to surface with v groove		0.5 Scale or less			0.5 Scale or less			0.5 Scale or less		
Flatness bottom surface		0.003mm or less	0.005mm or less		0.003mm or less	0.005mm or less		0.003mm or less	0.005mm or less	

Magnetic Square Type Precision Level

Stock No. 583

“Grade A” class Traceability

To measure...			
Flatness	Straightness	Squareness	Parallelism
○	○	◎	○

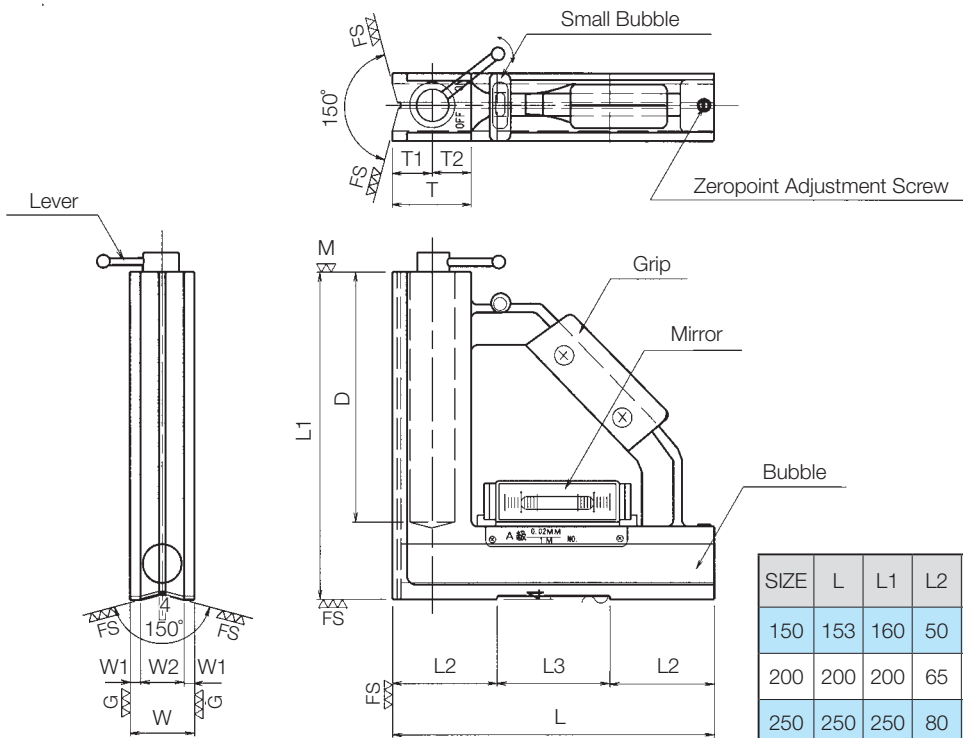


- Side surface is magnetic. It is designed for measuring cylindrical configuration specially.
- This is also useful for operations in high-place as it can be held by its magnetic surface.
- The mirror allows you to read the number on the main bubble.
- Main bubble is as accurate as Grade A (JIS)

Code #	Size	Sensitivity mm/m	Mirror	Net Weight (kg)	
583-1502	150	0.02	Without	2.2	
583-1505		0.05			
583-1501		0.1			
583-2002	200	0.02	With	3.2	
583-2005		0.05			
583-2001		0.1			
583-2502	250	0.02			4.9
583-2505		0.05			
583-2501		0.1			

※ Size 150mm is not have a mirror

Work Measurement



SIZE	L	L1	L2	L3	W	W1	W2	D	T	T1	T2
150	153	160	50	60	35	6.5	22	112	42	18	24
200	200	200	65	70	40	6.5	27	152	45	21	24
250	250	250	80	90	41	6.5	28	201	47	22	25



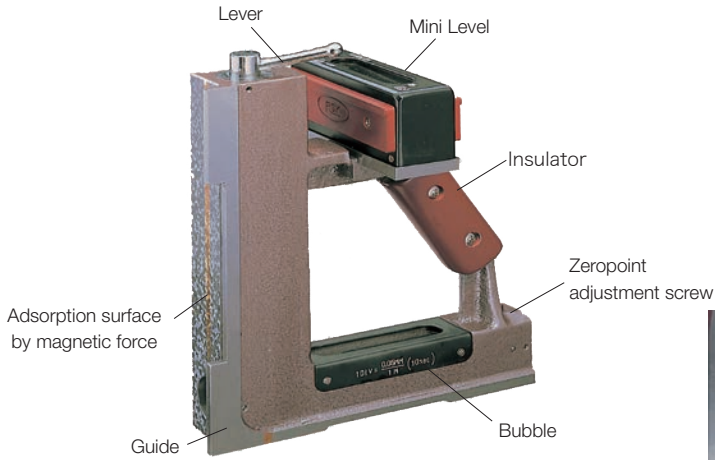
PRECISION LEVEL

Magnetic Square Type Precision For LM Guide

Stock No. 583-LM

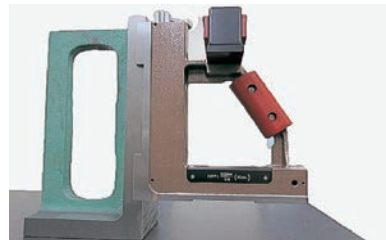
“Grade A” class Traceability

To measure...			
Flatness	Straightness	Squareness	Parallelism
○	○	◎	○

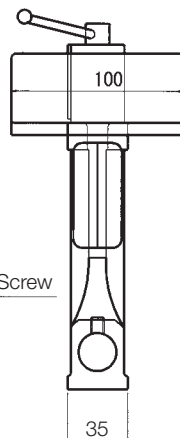
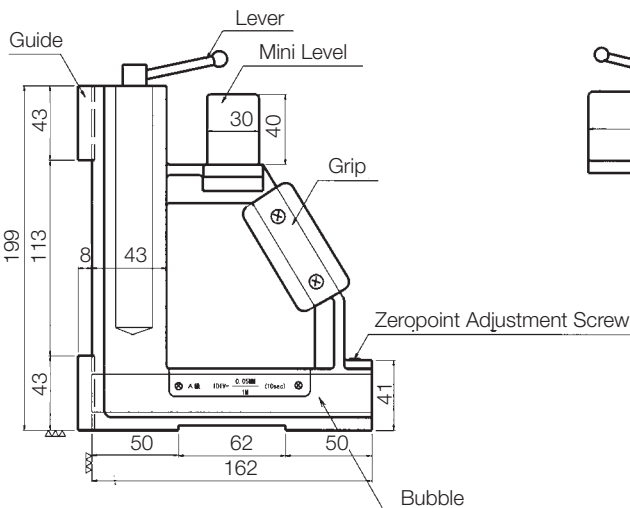
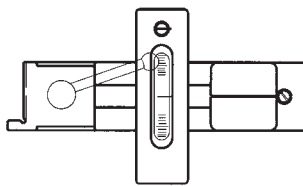


- It is best for checking squareness of a machine with LM guide.
- This measures the squareness between X-axis and Y-axis by putting its Guide on measuring object.
- Adsorption surface has flat surface instead of V groove.

Code #	Size	Sensitivity mm/m	Net Weight (kg)
583-1502LM	150	0.02	3.4
583-1505LM		0.05	



Work Measurement



- Main bubble is as accurate as Grade A (JIS)
- Mini level helps reading more strict inspection.
- User can measure with his/her hand off as its adsorption surface is magnetized.



PRECISION LEVEL

Mini Level

Stock No. 584 Traceability

“Grade A” class



To measure...			
Flatness	Straightness	Squareness	Parallelism
◎	○	×	○

- Main bubble is as accurate as Grade A (JIS)
- In spite of its small size (100mm length), the chamber adjusts the length of the main bubble.
- Good for storage and carriage.
- Parallelism v groove to surface with v groove is 0.5 scale.

Unit = mm

Code #	Wide	Depth	Height	Sensitivity (mm/m)	Net Weight (kg)
584-1002	100	33	45	0.02	0.5
584-1005	100	33	45	0.05	0.5

Precision High Level

Stock No.740



740A



740B

To measure...
Zero point adjustment

- The smallest size among our precision levels. (100mm length and 25mm Height)
- Easy to check the zero point, just put it.
- Main bubble is as accurate as standard type.

Unit = mm

Code #	Model	Sensitivity (mm/m)	W × D × H	Diameter × Distance	Net Weight (kg)
740A05	740A	0.05	100 × 22 × 25	φ4.5 × 90	0.19
740A01		0.1			
740B02	740B	0.02	100 × 18 × 20	—	0.15
740B05		0.05			
740B01		0.1			

Cross-Test Precision Level T-type

Stock No.600 Traceability



To measure...			
Flatness	Straightness	Squareness	Parallelism
◎	○	×	○

- Measures X-axis and Y-axis at one time.
- Both levels have zero point adjustment.
- Main bubble is as accurate as standard type.

Unit = mm

Code #	Sensitivity (mm/m)	L × W × D × H	Net Weight (kg)
600-2005	0.05	200 × 150 × 30 × 30	1.9
600-2001	0.1		
600-2002	0.2		



PRECISION LEVEL

Portable Level

Stock No. 252

To measure...			
Flatness	Straightness	Squareness	Parallelism
○	○	×	○



- This is especially designed for portable use.
- It has zeropoint adjustment.
- The sensitivity is as good as standard Type.

Unit = mm

Code #	Wide	Depth	Height	Sensitivity (mm/m)	Net Weight (kg)
252-02	100	27	27	0.02	0.34
252-05				0.05	
252-01				0.1	

Measuring Level Center

Stock No.501



- It makes it easier to adjust zero point adjustment. no need of surface plate.

Code #
501

Pocket Level

Stock No.572



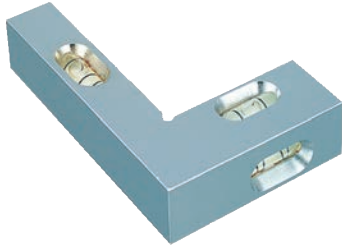
- Nickel-plated level in hexagonal shape.

Unit = mm

Code #	Size	Hex shape average	Net Weight (kg)
572-65	65	10	0.04
572-90	90	12	0.05

Square Type Cross Test Level

Stock No.574



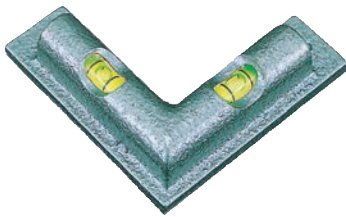
- Made of cast iron and its surface is plated.
- Good for measuring flatness and installation of the machines.

Unit = mm

Code #	L	W	H	D	Net Weight (kg)
574-75HV	75	50	18	15	0.18

Cross Test Level

Stock No.575



- Made of cast iron.
- Good for measuring flatness and installation of the machines.

Unit = mm

Code #	L	W	H	D	Height (kg)
575-65	65	65	18	15	0.23

Round Level

Stock No.576



- When bubbles meet the center, the flatness is proven.
- It can be attached to any machines and scales.

Unit = mm

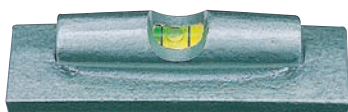
Code #	Outside Diameter × Diameter of Brim × Height	Net Weight (kg)
576-181	ϕ 18 × ϕ 28 × 14	0.02
576-201	ϕ 20 × ϕ 30 × 15	0.03
576-241	ϕ 24 × ϕ 35 × 18	0.05
576-251	ϕ 25 × ϕ 38 × 18	0.08

Unit = mm

Code #	Outside Diameter × Height	Net Weight (kg)
576-200	20 × 20	0.04
576-240	24 × 20	0.05

Small Bench Level

Stock No.573



- Cast-iron level.

Unit = mm

Code #	Size	Net Weight (kg)
573-90	90	0.25

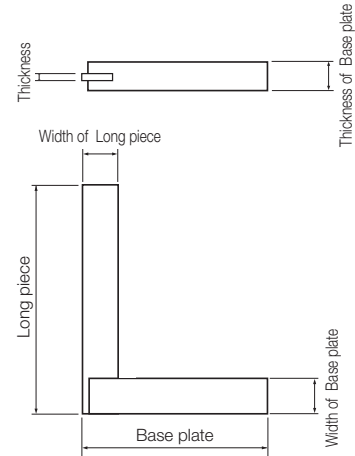
Precision Square With Base (JIS B 7526)

Stock No.546-1, 546-2

Traceability



- This is essential to measure straightness.
- First class is hardened.



Unit = mm

	Code #	Nominal Size	Long piece	Base plate	Width of Long piece	Thickness of Long piece	Width of Base plate	Thickness of Base plate	Squareness (± μm)	Net Weight (kg)
Second Class	546-0050C2	50	50	40	14	2.5	13	10	26.0	0.05
	546-0075C2	75	75	50	16	2.5	15	13	28.0	0.1
	546-0100C2	100	100	70	20	2.5	18	15	30.0	0.18
	546-0150C2	150	150	100	24	3	22	18	36.0	0.4
	546-0200C2	200	200	130	29	4	26	22	4.0	0.74
	546-0250C2	250	250	165	30	4	26	22	44.0	1.0
	546-0300C2	300	300	200	35	4	32	27	50.0	1.7
	546-0400C2	400	400	204	40	5	40	30	60.0	2.5
	546-0450C2	450	450	280	45	5	40	30	66.0	3.2
	546-0500C2	500	500	300	46	5	45	35	70.0	4.6
	546-0600C2	600	600	325	50	6	55	35	80.0	6.7
	546-0750C2	750	750	400	58	8	63	50	96.0	12.3
	546-1000C2	1,000	1,000	550	65	10	80	65	120.0	29.6
	546-1500C2	1,500	1,500	620	80	10	90	65	170.0	38
546-2000C2	2,000	2,000	830	100	12	105	70	220.0	66.7	
First Class (Hardened)	546-0050CQ	50	50	40	14	2.5	13	10	13.0	0.05
	546-0075CQ	75	75	50	16	2.5	15	13	14.0	0.1
	546-0100CQ	100	100	70	20	2.5	18	15	15.0	0.18
	546-0150CQ	150	150	100	24	3	22	18	18.0	0.4
	546-0200CQ	200	200	130	29	4	26	22	20.0	0.74
	546-0250CQ	250	250	165	30	4	26	22	22.0	1.0
	546-0300CQ	300	300	200	35	4	32	27	25.0	1.7
	546-0400CQ	400	400	204	40	5	40	30	30.0	2.5
	546-0450CQ	450	450	280	45	5	40	30	33.0	3.2
	546-0500CQ	500	500	300	46	5	45	35	35.0	4.6
	546-0600CQ	600	600	325	50	6	55	35	40.0	6.7
	546-0750CQ	750	750	400	58	8	63	50	48.0	12.3
	546-1000CQ	1,000	1,000	550	65	10	80	65	60.0	29.6
	546-1500CQ	1,500	1,500	620	80	10	90	65	85.0	38
546-2000CQ	2,000	2,000	830	100	12	105	70	110.0	66.7	

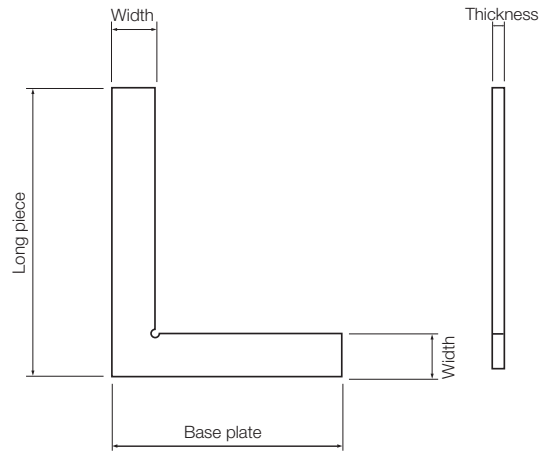
Flat -Type Square (JIS B 7526)

Stock No.547-1, 547-2

Traceability



- This is essential to measure straightness.
- First class is hardened.



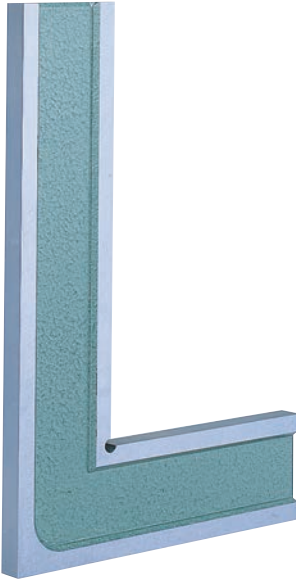
Unit = mm

	Code #	Nominal Size	Long piece	Base plate	Width	Thickness	Squareness (± μm)	Net Weight (kg)
Second Class	547-00502	50	50	40	15	3	26.0	0.04
	547-00752	75	75	50	18	3	28.0	0.05
	547-01002	100	100	70	20	4	30.0	0.08
	547-01502	150	150	100	25	5	36.0	0.22
	547-02002	200	200	130	25	6	40.0	0.35
	547-02502	250	250	165	30	6	44.0	0.54
	547-03002	300	300	200	30	6	50.0	0.66
	547-04002	400	400	200	40	8	60.0	1.4
	547-04502	450	450	235	40	8	66.0	1.62
	546-05002	500	500	300	46	8	70.0	1.91
	546-06002	600	600	300	50	10	80.0	3.3
	546-07502	750	750	400	58	10	96.0	4.3
	546-10002	1,000	1,000	550	65	12	120.0	8.4
	546-15002	1,500	1,500	750	80	14	170.0	19.1
546-20002	2,000	2,000	1,000	100	16	220.0	36.3	
First Class (Hardened)	546-0050Q	50	50	40	14	3	13.0	0.04
	546-0075Q	75	75	50	16	3	14.0	0.05
	546-0100Q	100	100	70	20	4	15.0	0.08
	546-0150Q	150	150	100	25	5	18.0	0.22
	546-0200Q	200	200	130	25	6	20.0	0.35
	546-0250Q	250	250	165	30	6	22.0	0.54
	546-0300Q	300	300	200	30	6	25.0	0.66
	546-0400Q	400	400	200	40	8	30.0	1.4
	546-0450Q	450	450	235	40	8	33.0	1.62
	546-0500Q	500	500	300	40	8	35.0	1.91
	546-0600Q	600	600	300	50	10	40.0	3.3
	546-0750Q	750	750	400	50	10	48.0	4.3
	546-1000Q	1,000	1,000	550	60	12	60.0	8.4
	546-1500Q	1,500	1,500	750	80	14	85.0	19.1
546-2000Q	2,000	2,000	1,000	100	16	110.0	36.3	

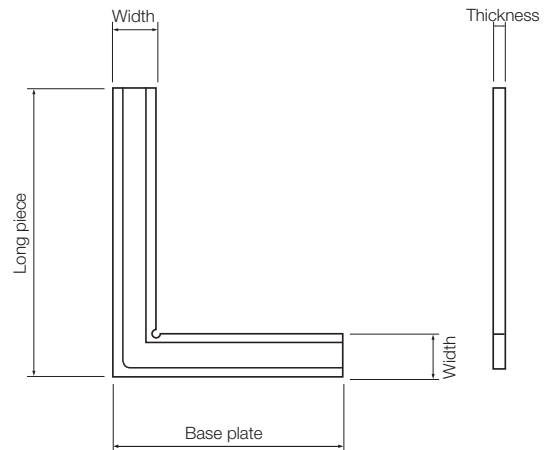
I -Type Precision Square (JIS B 7526)

Stock No.548-1, 548-2

Traceability



- This has the highest accuracy among the squares.
(Only First Class)
- Hardened, grinded and lapped finish.
- All size is hardened.
- Use it as a standard of all squares.



Unit = mm

	Code #	Nominal Size	Long piece	Base plate	Width	Thickness	Squaremess (± μm)	Net Weigt (kg)
Second Class	548-00502	50	50	40	16	4	6.0	0.04
	548-00752	※ 75	75	50	18	4	6.5	0.07
	548-01002	※ 100	100	70	25	6	7.0	0.25
	548-01502	※ 150	150	100	30	8	8.0	0.5
	548-02002	※ 200	200	130	35	10	9.0	1.0
	548-02502	250	250	165	40	10	10.0	1.5
	548-03002	※ 300	300	200	40	15	11.0	2.5
	548-05002	※ 500	500	300	55	20	15.0	5.2
	548-06002	600	600	350	60	23	17.0	7.5
First Class	548-00501	50	50	40	16	4	2.50	0.04
	548-00751	75	75	50	18	4	2.80	0.07
	548-01001	100	100	70	25	6	3.0	0.25
	548-01501	150	150	100	30	8	3.50	0.5
	548-02001	200	200	130	35	10	4.0	1.0
	548-02501	250	250	165	40	10	4.50	1.5
	548-03001	300	300	200	40	15	5.0	2.5
	548-05001	500	500	300	55	20	7.0	5.2
548-06001	600	600	350	60	23	8.0	7.5	

Precision Thick Type Square

Stock No.549 Traceability



- This is a stable scale having thick base and column.
- All size is hardened.

Unit = mm

Code #	Nominal Size	Long piece	Base plate	Width	Thickness	Squareness ($\pm \mu\text{m}$)	Net Weight (kg)
549-050	50	50	40	15	10	13.0	0.1
549-075	75	75	50	18	12	14.0	0.2
549-100	100	100	70	20	15	15.0	0.4
549-125	125	125	80	20	15	16.0	0.5
549-150	150	150	100	25	20	18.0	0.9
549-200	200	200	130	30	20	20.0	1.4
549-250	250	250	145	35	25	23.0	2.5
549-300	300	300	170	35	25	25.0	3.0

Knife Edged Standard Square [I type]

Stock No.550 Traceability



- Its external angle is sharpened like a knife, the light coming from the gap between this square and object tells an error in squareness.
- All size is hardened.

Unit = mm

Code #	Nominal Size	Long piece	Base plate	Width	Thickness	Squareness ($\pm \mu\text{m}$)	Net Weight (kg)
550-0503	50	50	40	12	8	2.5	0.1
550-0753	75	75	50	16	10	2.8	0.2
550-1003	100	100	70	20	12	3.0	0.35
550-1503	150	150	100	24	14	3.5	0.7
550-2003	200	200	130	29	16	4.0	1.2
550-2503	250	250	165	32	16	4.5	2.0
550-3003	300	300	200	35	20	5.0	2.5

Knife Edged Standard Square [III Type] (JIS B7526)

Stock No.550-III



- Both external and internal angles are shaped like a knife.
- All size is hardened.

Unit = mm

Code #	Nominal Size	Long piece	Base plate	Width	Thickness	Squareness (± μm)	Net Weight (kg)
555-050	50	50	40	15	4	2.5	0.09
555-075	75	75	50	20	5	2.8	0.2
555-100	100	100	70	25	6	3.0	0.27
555-150	150	150	100	30	8	3.5	0.5
555-200	200	200	130	35	10	4.0	1.1
555-250	250	250	165	35	10	4.5	1.8
555-300	300	300	200	40	15	5.0	2.3

Cylindrical Square (JIS B7539)

Stock No.551



- This has the highest accuracy among the squares.
- All size is hardened.

※ The handle of the size smaller than 300mm types cannot be detached.

Unit = mm

Code #	Nominal Size	Height	Diameter	Squareness (± μm)	Net Weight (kg)
551-0100Q	100	100	60	2.5	2.5
551-0150Q	150	150	70	2.8	4.9
551-0200Q	200	200	80	3.0	8.3
551-0250Q	250	250	90	3.3	13
551-0300Q	300	300	100	3.5	17
551-0350Q	350	350	110	3.8	19.4
551-0400Q	400	400	120	4.0	21
551-0500Q	500	500	130	4.5	30.5
551-0600Q	600	600	160	5.0	48
551-0800Q	800	800	200	6.0	84
551-1000Q	1000	1000	240	7.0	170
551-1200Q	1200	1200	250	8.0	190

About accuracy of SQUARE

Type	Class	Calculating Squareness
Cyrindrial Square		$\pm (2+ \ell /200) \mu\text{m}$
Knife Edged Standard Square	—	$\pm (2+ \ell /100) \mu\text{m}$
I -Type Precision Square	First Class	
I -Type Precision Square	Second Class	$\pm (5+ \ell /50) \mu\text{m}$
Flat Type Squae	First Class	$\pm (10+ \ell /20) \mu\text{m}$
Precision Square with Base		
Graduated Precision Square	—	
Precision Thick Square		
Flat Type Squae	Second Class	$\pm (20+ \ell /10) \mu\text{m}$
Precision Square with Base		

About accuracy of STRAIGHT EDGE

Type	Class	Calculating Straightness
Knife-Type Straight Edge	—	$\pm (1+ \ell /250) \mu\text{m}$
Precision Straight Edge I Type	Class A	$\pm (2+ \ell /250) \mu\text{m}$
Precision Straight Edge		
Wide-Type Highest Grade Straight Edge		
I Beam Type Highest Grade Straight Edge	Class A	$\pm (2+ \ell /100) \mu\text{m}$
Standard Steel Straight Edge		
Wide-Type Highest Grade Straight Edge	Class B	$\pm (4+ \ell /50) \mu\text{m}$
Precision Straight Edge I Type		
Precision Straight Edge		
Steel Straight Edge Bevel Type	—	$\pm (10+ \ell /50) \mu\text{m}$
Steel Straight Edge Normal Type		



STRAIGHT EDGE

I Beam Type Highest Grade Straight Edge

Stock No.553

Traceability



- This is essential to measure flatness, parallelism and squareness.
- They are either hardened or unhardened.
- This is classified into either class A or B.

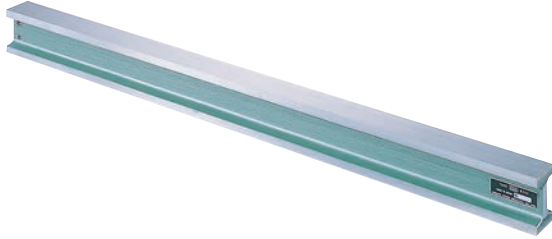
Unit = mm

	Code #	Nominal Size	Length	Width	Thickness	Straightness (µm)	Net Weight (kg)
Class A (Hardened)	553-0500Q	500	500	50	10	7.0	1.5
	553-0750Q	750	750	50	10	9.5	3.2
	553-1000Q	1,000	1,000	60	12	12.0	5.0
	553-1500Q	1,500	1,500	70	15	17.0	8.5
	553-2000Q	2,000	2,000	90	18	22.0	18.5
	553-2500Q	2,500	2,500	100	18	27.0	25.0
	553-3000Q	3,000	3,000	120	22	32.0	44.0
	553-3500Q	3,500	3,500	130	22	37.0	55.0
	553-4000Q	4,000	4,000	140	25	42.0	75.0
Class A (Not Hardened)	553-0500A	500	500	50	10	7.0	1.5
	553-0750A	750	750	50	10	9.5	3.2
	553-1000A	1,000	1,000	60	12	12.0	5.0
	553-1500A	1,500	2,500	70	15	17.0	8.5
	553-2000A	2,000	2,000	90	18	22.0	18.5
	553-2500A	2,500	2,500	100	18	27.0	25.0
	553-3000A	3,000	3,000	120	22	32.0	44.0
	553-3500A	3,500	3500	130	22	37.0	55.0
	553-4000A	4,000	4,000	140	25	42.0	75.0
Class B (Not Hardened)	553-0500B	500	500	50	10	20.0	1.5
	553-0750B	750	750	50	10	25.0	3.2
	553-1000B	1,000	1,000	60	12	30.0	5.0
	553-1500B	1,500	1,500	70	15	40.0	8.5
	553-2000B	2,000	2,000	90	18	50.0	18.5
	553-2500B	2,500	2,500	100	18	60.0	25.0
	553-3000B	3,000	3,000	120	22	70.0	44.0
	553-3500B	3,500	3,500	130	22	80.0	55.0
	553-4000B	4,000	4,000	140	25	90.0	45.0

Wide-Type Highest Grade Straight Edge

Stock No.554A, 554B

Traceability



- This is good for checking parallelism tolerance and installing machines.
- They are either hardened or unhardened.
- This is classified into either class A or B.

Unit = mm

	Code #	Nominal Size	Length	Width	Thickness	Straightness (µm)	Net Weight (kg)
Class A (Hardened)	554-1000AQ	1,000	1,000	75	50	6.0	20
	554-1500AQ	1,500	1,500	90	50	8.0	37
	554-2000AQ	2,000	2,000	120	50	10.0	54
	554-2500AQ	2,500	2,500	140	50	12.0	78
	554-3000AQ	3,000	3,000	180	50	14.0	105
	554-4000AQ	4,000	4,000	200	50	18.0	165
Class A (Not Hardened)	554-1000A	1,000	1,000	75	50	6.0	20
	554-1500A	1,500	1,500	90	50	8.0	37
	554-2000A	2,000	2,000	120	50	10.0	54
	554-2500A	2,500	2,500	140	50	12.0	78
	554-3000A	3,000	3,000	180	50	14.0	105
	554-4000A	4,000	4,000	200	50	18.0	165
Class B (Hardened)	554-1000BQ	1,000	1,000	75	50	24.0	20
	554-1500BQ	1,500	1,500	90	50	34.0	37
	554-2000BQ	2,000	2,000	120	50	44.0	54
	554-2500BQ	2,500	2,500	140	50	54.0	78
	554-3000BQ	3,000	3,000	180	50	64.0	105
	554-4000BQ	4,000	4,000	200	50	84.0	165
Class B (Not Hardened)	554-1000B	1,000	1,000	75	50	24.0	20
	554-1500B	1,500	1,500	90	50	34.0	37
	554-2000B	2,000	2,000	120	50	44.0	54
	554-2500B	2,500	2,500	140	50	54.0	78
	554-3000B	3,000	3,000	180	50	64.0	105
	554-4000B	4,000	4,000	200	50	84.0	165



STRAIGHT EDGE

Precision Straight Edge I Type (JIS B7514)

Stock No.594 Traceability



Precision Straight Edge (JIS B7514)

Stock No.595 Traceability



Unit = mm

	Code #	Nominal Size (plain scale is plus 40mm)	Length	Width	Straightness (μm)	Squareness (μm)	Net Weight (kg)
Class A (Hardened)	594-0300AQ	300	50	10	3.0	30.0	20
	594-0500AQ	500	50	10	4.0	30.0	37
	594-1000AQ	1,000	60	12	6.0	40.0	54
	594-1500AQ	1,500	70	15	8.0	50.0	78
	594-2000AQ	2,000	90	20	10.0	60.0	105
	594-3000AQ	3,000	120	22	14.0	70.0	165
Class A (Not Hardened)	594-0300A	300	50	10	3.0	30.0	20
	594-0500A	500	50	10	4.0	30.0	37
	594-1000A	1,000	60	12	6.0	40.0	54
	594-1500A	1,500	70	15	8.0	50.0	78
	594-2000A	2,000	90	20	10.0	60.0	105
	594-3000A	3,000	120	22	14.0	70.0	165
Class B (Hardened)	594-0300BQ	300	50	10	10.0	100.0	20
	594-0500BQ	500	50	10	14.0	100.0	37
	594-1000BQ	1,000	60	12	24.0	150.0	54
	594-1500BQ	1,500	120	15	34.0	200.0	78
	594-2000BQ	2,000	90	20	44.0	250.0	105
	594-3000BQ	3,000	120	22	64.0	300.0	165
Class B (Not Hardened)	594-0300B	300	50	10	10.0	100.0	20
	594-0500B	500	50	10	14.0	100.0	37
	594-1000B	1,000	60	12	24.0	150.0	54
	594-1500B	1,500	70	15	34.0	200.0	78
	594-2000B	2,000	90	20	44.0	250.0	105
	594-3000B	3,000	120	22	64.0	300.0	165

- These are essential to measure flatness, parallelism and squareness.
- They are classified into either class A or B.
- They are either hardened or unhardened.
- This type of straight edge has added 40mm extra length.

Steel Straight Edge

Stock No.555B, 555S

Traceability

Bevel Type



Normal Type



- Good for marking.
- Accuracy on one of the measuring surface is guaranteed. (For bevel type, it is blade surface. For normal type it is A side.)
- They are either hardened or unhardened.

Bevel Type Straight Edge

Unit = mm

Code #	Nominal Size	Length	Width	Thickness	Bevel edge thickness	Net Weight (kg)	Straightness (μm)
555-0150B	150	150	25	3	1.0	0.08	13.0
555-0200B	200	200	25	3	1.0	0.1	14.0
555-0250B	250	250	30	4	2.0	0.3	15.0
555-0300B	300	300	35	5	2.0	0.4	16.0
555-0450B	450	450	40	5	2.0	0.7	19.0
555-0500B	500	500	40	5	2.0	0.8	20.0
555-0600B	600	600	40	5	2.0	0.9	22.0
555-0750B	750	750	50	6	2.0	1.6	25.0
555-1000B	1,000	1,000	50	6	2.0	2.5	30.0
555-1500B	1,500	1,500	75	6	2.0	5.5	40.0
555-2000B	2,000	2,000	85	8	2.5	10.5	50.0
555-2500B	2,500	2,500	90	10	2.5	18.0	60.0
555-3000B	3,000	3,000	100	10	3.0	23.5	70.0

Normal Type Straight Edge

Unit = mm

Code #	Nominal Size	Length	Width	Thickness	Net Weight (kg)	Straightness (μm)
555-0150	150	150	25	3.0	0.08	13.0
555-0200	200	200	25	3.0	0.11	14.0
555-0250	250	250	30	4.0	0.3	15.0
555-0300	300	300	35	5.0	0.4	16.0
555-0450	450	450	40	5.0	0.7	19.0
555-0500	500	500	40	5.0	0.8	20.0
555-0600	600	600	40	5.0	0.9	22.0
555-0750	750	750	50	6.0	1.7	25.0
555-1000	1,000	1,000	50	6.0	2.6	30.0
555-1500	1,500	1,500	75	6.0	5.8	40.0
555-2000	2,000	2,000	85	8.0	11.0	50.0
555-2500	2,500	2,500	90	10.0	19.0	60.0
555-3000	3,000	3,000	100	10.0	24.0	70.0

Standard Steel Straight Edge

Stock No.556

Traceability



- It suits for marking.
- They are either hardened or unhardened.

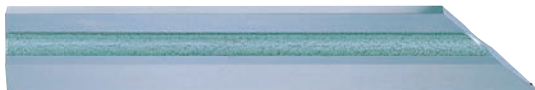
Unit = mm

Code #	Nominal Size	Length	Width	Thickness	Straightness (µm)	Net Weight (kg)
556-0500	500	500	50	10	7.0	2.0
556-0750	750	750	50	10	9.5	2.9
556-1000	1,000	1,000	60	12	12.0	5.7
556-1500	1,500	1,500	70	15	17.0	12.4
556-2000	2,000	2,000	80	18	22.0	22.6
556-2500	2,500	2,500	100	18	27.0	35.3
556-3000	3,000	3,000	120	22	32.0	62.2
556-0500Q	500	500	50	10	7.0	2.0
556-0750Q	750	750	50	10	9.5	2.9
556-1000Q	1,000	1,000	60	12	12.0	5.7
556-1500Q	1,500	1,500	70	15	17.0	12.4
556-2000Q	2,000	2,000	80	18	22.0	22.6
556-2500Q	2,500	2,500	100	18	27.0	35.3
556-3000Q	3,000	3,000	120	22	32.0	62.2

Knife-Type Straight Edge

Stock No.552

Traceability



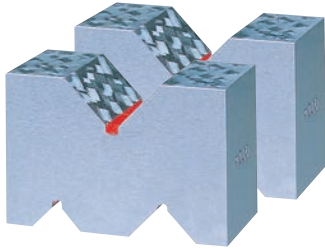
- Measuring surface is sharpened like a knife.
- This is for testing flat surface, when good accuracy is required.
- All size is hardened.

Unit = mm

Code #	Nominal Size	Length	Width	Straightness (µm)	Net Weight (kg)
552-080	80	80	23	1.3	0.14
552-100	100	100	24	1.4	0.16
552-125	125	125	25	1.5	0.19
552-150	150	150	25	1.6	0.24
552-200	200	200	30	1.8	0.4
552-250	250	250	30	2.0	0.45
552-300	300	300	32	2.2	0.65
552-400	400	400	35	2.6	0.9
552-500	500	500	40	3.0	1.5
552-600	600	600	40	3.4	1.8

Cast Iron V Block

A-type Stock No. 557AA, 557A Traceability



- Good for marking and fixture 1 set has 2 pieces.
- A-type: There are three V grooves.
- B-type: Thicker than A type but designed for weight saving.
- This is classified into either Normal class or A class.

Normal class :

Parallellness between base and V grooves 0.01mm

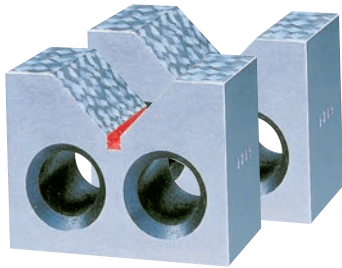
Squareness of each surface ± 0.01 mm

A class : Parallellness between base and V grooves 0.005mm

Squareness of each surface ± 0.005 mm

Unit = mm

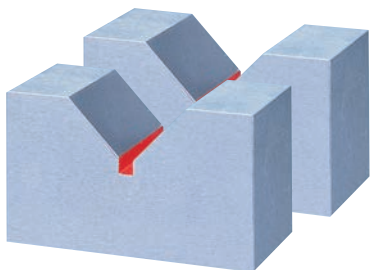
B-type Stock No. 557BA, 557B Traceability



	Code #	Nominal Size	Length	Height	Thickness	Net Weight (kg)
A-Type	557-050A	50	50	24	19	0.2
	557-075A	75	75	35	24	0.6
	557-100A	100	100	52	33	2.0
	557-125A	125	125	69	44	4.5
	557-150A	150	150	80	50	7.0
	557-200A	200	200	110	70	18.0
B-Type	557-050B	50	50	32	24	0.4
	557-075B	75	75	60	32	1.5
	557-100B	100	100	67	41	2.5
	557-125B	125	125	79	51	3.4
	557-150B	150	150	89	63	8.1
	557-200B	200	200	140	102	22.2

Precision Steel V Block

Stock No. 558AA, 558A Traceability



- Good for marking and fixture 1 set has 2 pieces.
- They are either hardened or unhardened.
- Parallellness between base and V grooves 0.005mm.
- Squareness of each surface ± 0.005 mm.

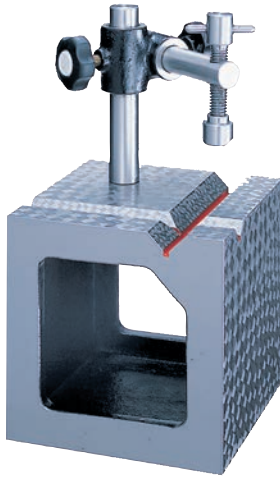
Unit = mm

	Code #	Nominal Size	Length	Height	Thickness	Net Weight (kg)
Not hardened	558-038	38	38	24	19	0.3
	558-050	50	50	28	22	0.53
	558-065	65	65	40	25	1.0
	558-075	75	75	50	35	1.9
	558-100	100	100	60	38	3.3
	558-125	125	125	70	45	6.0
	558-150	150	150	90	60	11.9
Hardened	558-038Q	38	38	24	19	0.3
	558-050Q	50	50	28	22	0.53
	558-065Q	65	65	40	25	1.0
	558-075Q	75	75	50	35	1.9
	558-100Q	100	100	60	38	3.3
	558-125Q	125	125	70	45	6.0
	558-150Q	150	150	90	60	11.9

Box V Block With Clamp

Stock No.559A, 559B

[Traceability](#)



- High accuracy of parallelism and squareness, due to the scraping surfaces.
- Put on cylinder on V groove and compress clamp.
- They are classified into either class A or B.

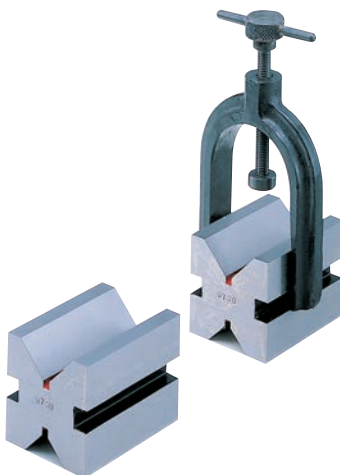
Unit = mm

	Code #	Nominal Size	Length	Thickness	Squareness Parallelness (μm)	Net Weight (kg)
Class A	559-100A	100	100	13	7	3.7
	559-125A	125	125	16	7.5	6.0
	559-150A	150	150	18	8	10.3
	559-200A	200	200	25	9	21.0
	559-250A	250	250	32	10	48.0
	559-300A	300	300	38	11	61.0
Class B	559-100B	100	100	13	14	3.7
	559-125B	125	125	16	15	6.0
	559-150B	150	150	18	16	10.3
	559-200B	200	200	25	18	21.0
	559-250B	250	250	32	20	48.0
	559-300B	300	300	38	± 30	61.0

Steel V Block With Clamp

Stock No.586

[Traceability](#)



- Good for fixture for centering, drilling and milling.
- Parallelness of the V groove is 0.01mm.
- Clamp is attached.
- All size is hardened.

Unit = mm

Code #	Nominal Size	Height	Width	Length	Net Weight (kg)
586-30	30	30	30	40	0.8
586-40	40	40	40	50	1.5
586-50	50	50	50	60	3.0
586-60	60	60	60	70	4.5



DIAL COMPARETOR

Dial Comparator

Stock No.561

Traceability



561-PH3



561-PH2



561-U



561-US



561-PH3G



561-PH2G



561-UG

- PH3 is best for measuring thickness. (table hardened.)
- PH2 has intermediate bearing. It measures the thickness of rings, pipes, and other bent parts.
- 561-U, 561-US, 561-UG, are good for comparison testing of outside diameter.
- 561-PH3G, 561-PH2G and 561-UG has granite base.
- NOTE : Dial Gauge is not included.

Unit = mm

Code #	Base Length	Base Width	Base Height	Main Spindle Length	Net Weight (kg)
561-PH3	200	120	50	200	6
561-PH2	175	210	50	200	12
561-U	180	200	50	245	16
561-US	175	138	40	200	6
561-PH3G	210	110	40	200	4.6
561-PH2G	230	210	50	220	12
561-UG	230	210	50	245	16



DIAL COMPARETOR

Dial Stand

Stock No.610

Traceability



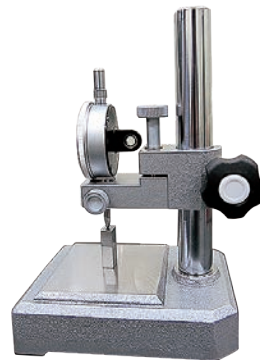
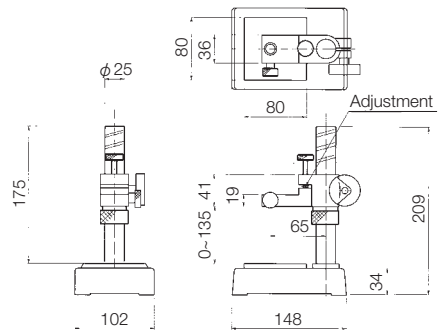
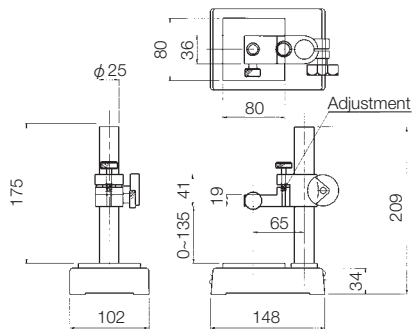
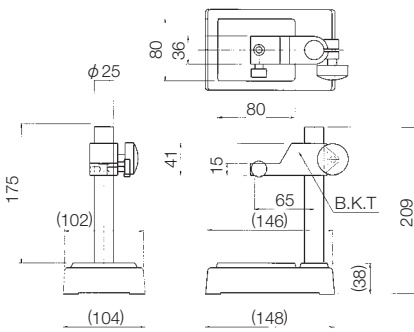
RS-1
Standard Model



RS-2
(With Adjustment)



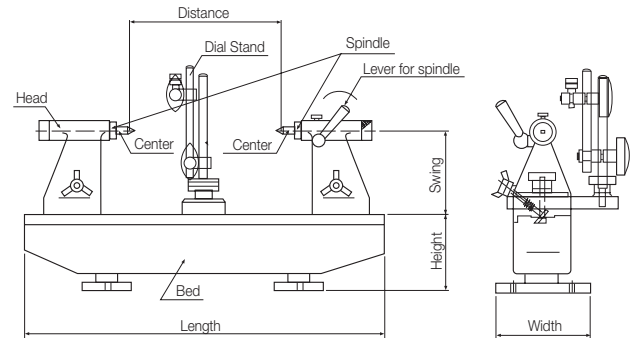
RS-3
(With Adjustment)



- For relative measurement of thickness.
- It is possible to regrind the surface.
- NOTE : Dial Gauge is not included.

Unit = mm

Code #	Model	Measurable Height	Table Area	Adjustment Stroke	Net Weight (kg)
610-RS1	RS-1	0 ~ 135	80x80	-	3.4
610-RS2	RS-2	0 ~ 135		3	3.4
610-RS3	RS-3	20 ~ 135		3	3.4



No.1

- This instrument has wide range of application, such as measuring deflection of machine tools, arbors, gears and checking roundness of different parts.

NOTE : Dial Gauge is not included.

Each model has maximum allowable size and withstand load as follows.

No. 1	ϕ 300× 400mm	46kg or less,
No. 2	ϕ 480× 800mm	120Kg or less,
No. 3	ϕ 600×1,200mm	250Kg or less

Unit = mm

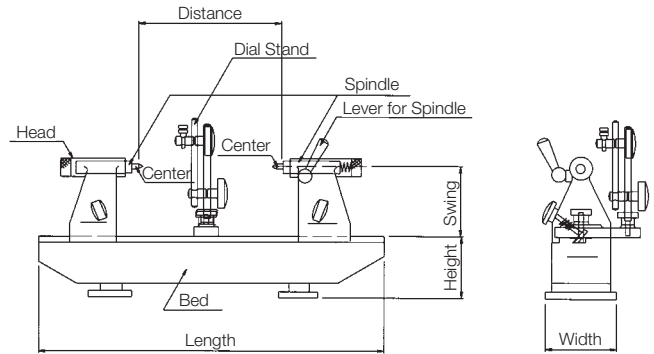
Code #	Model	Bed Length	Bed Width	Bed Height	Center Distance	Swing	Flatness	Paralellness	Apply Center	Net Weight (kg)
562-1	No.1	750	115	130	400	150	6	5	MT-2	46
562-2	No.2	1,200	160	230	800	240	8	8	MT-2	120
562-3	No.3	1,700	200	300	1,200	300	10	10	MT-3	250



Bench Center (P Type)

Stock No.563

Traceability



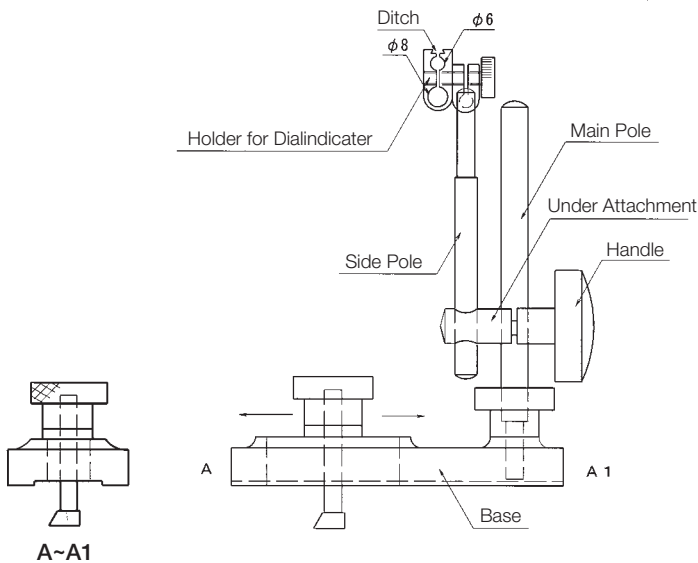
- Small type of bench center.
- As the swing is set lower, small measuring object can be measured easier.

NOTE : Dial gauge is not included.

Unit = mm

Code #	Model	Bed Length	Bed Width	Bed Height	Center Distance	Swing	Flatness (μm)	Paralellness (μm)	Apply Center	Net Weight (kg)
563-P1L	P-1	380	81	65	150	110	5	5	MT- 1	14
563-P2L	P-2	420	81	72	200	110	5	5	MT- 1	16
563-P3L	P-3	530	83	90	300	110	5	5	MT- 1	20

Dial Stand For Dial indicator



RSK produces dial stand for dial indicator.
It is applied for bench center (included P type)

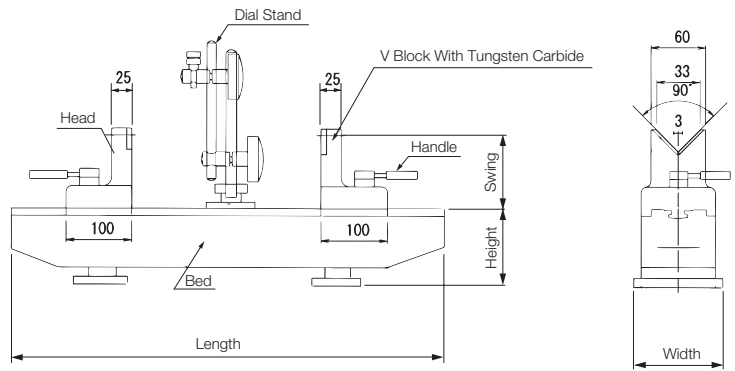
These 3 types can be chosen.

- φ 6, φ 8 With Ditch
- φ 6, φ 9.52 With Ditch
- φ 6, φ 9.52 Without Ditch

RV-Type Bench Center With V Block Carbide

Stock No.591

Traceability



- Using its V groove, this measures object without center hole.
- A piece of carbide is attached to V groove in order to add more abrasion resistance.

NOTE : Dial gauge is not included.

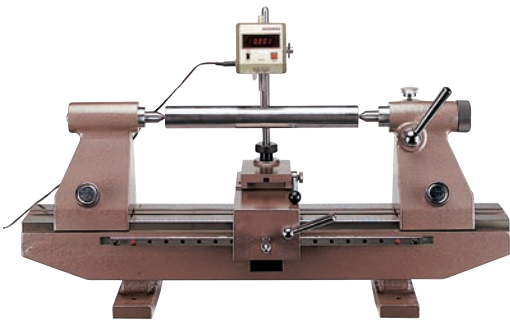
Unit = mm

Codee #	Model	Bed Length	Bed Width	Swing	Maximum Length between Head and Head	Paralellness of V grooves	Maximum allowable size	Net Weight (kg)
591-RV1	RV-1	380	82	73	180	5 μm	φ 5 ~ φ 40	11
591-RV2	RV-2	420	82	73	230	5 μm	φ 5 ~ φ 40	13
591-RV3	RV-3	530	82	73	330	5 μm	φ 5 ~ φ 40	15

Slide Guides Type Bench Center

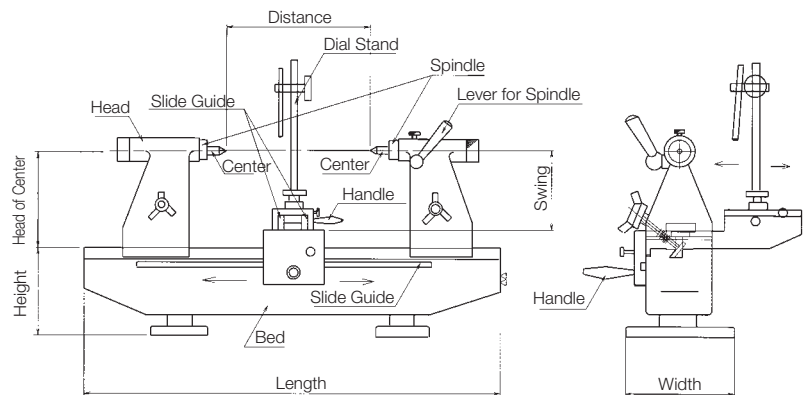
Stock No.562S

Traceability



- Dial gauge is designed to move not only back and forth but right to left.
- Besides, it measures eccentricity, deflection of roller shaft and flange and so on.

NOTE : Dial gauge is not included.



Unit = mm

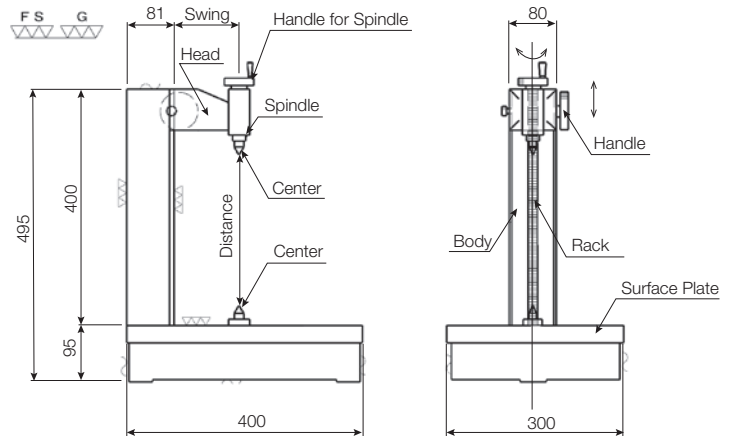
Code #	Model	Bed Length	Bed Width	Center Distance	Height of Center	Swing	Paralellness	Apply Center	Net Weight (kg)
562-SG1	RV-1	750	115	400	150	110	5 μm	MT-2	60



Bench Center (VB Type)

Stock No.592

Traceability



- For measuring vertical deflection.
- Put cylindrical work on its supporting point and measuring end face.
- Surface plate is as accurate as JIS First class.

NOTE : Dial gauge and Test bar are not included.

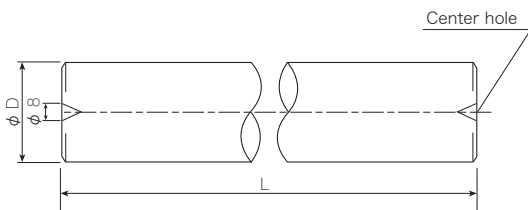
Unit = mm

Code #	Model	Size	Center Distance	Swing	Squareness of center (μm)	Apply Center	Net Weight (kg)
592-VB1	VB-1	400 × 300	265	110	5	MT-1	55

Test Bar

Stock No.600

Traceability



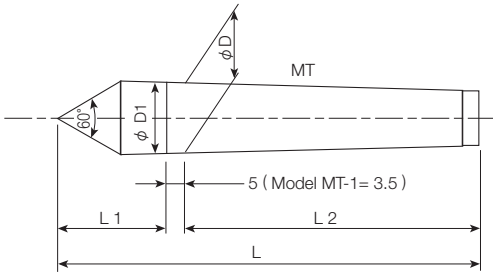
- Use it as a standard of deflection.
- This is for measuring deflection on bench center as a standard.
- All size is hardened.

Unit = mm

Code #	Size ($\phi D \times L$ mm)	Cylindricity (μm)	Compatible models
600-P1	20 × 150	2	P-1
600-P2	20 × 200	2	P-2
600-P3	25 × 300	3	P-3
600-NO1	30 × 400	3	No-1
600-NO2	50 × 800	3	No-2

Center

Stock No.601



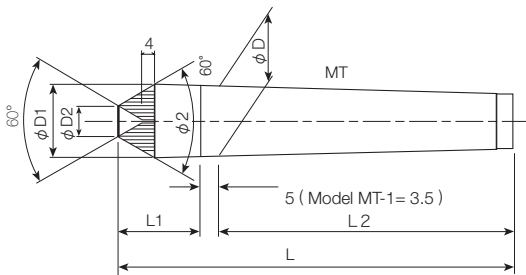
- This is applied to bench center.
- All size is hardened.
- Other sizes and carbide model are also available. Please ask.

Unit = mm

Code #	Model	ϕ D	ϕ D1	L	L1	L2	Compatible models
601-MT1	MT-1	12.065	12.2	82	25	53.5	P1 ~ P3
601-MT2	MT-2	17.780	18.0	100	31	64.0	No-1, No-2
601-MT3	MT-3	23.825	24.1	125	39	81.0	No-3

Reversed Form Center

Stock No.602

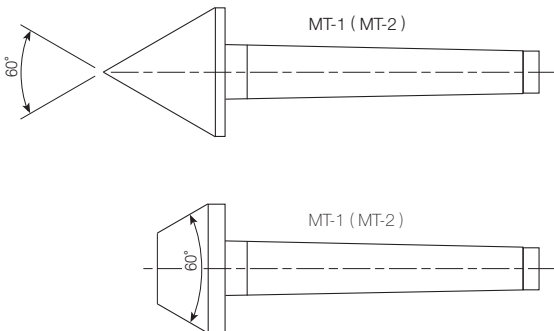


- For small diameters without center hole.
- Other sizes and carbide model are also available. Please ask.

Unit = mm

Code #	Model	ϕ D	ϕ D1	ϕ D2	L	L1	L2
602-MT1	MT-1	12.065	12.2	7	77	20	53.5
602-MT2	MT-2	17.780	18.0	8	94	25	64.0
602-MT3	MT-3	23.825	24.1	10	119	33	81.0

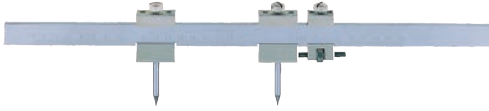
Custom-Made Center



- Custom made center can materialize your need precicely. Please ask us for further information.

Steel Beam Trammel Graduation

Stock No.581



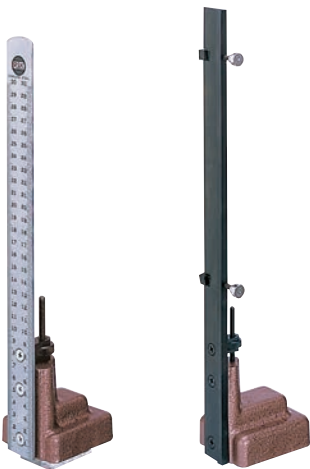
- This is for marking-off round shape, semicircle.
- The ruler has a scale marked in every 1mm.
- The point is hardened and dismountable.

Unit = mm

Code #	Size	Width	Thickness	Size of Point
581-0300	300	19	6	φ 6 × 39
581-0500	500	25	6	φ 10 × 50
581-1000	1,000	32	6	φ 10 × 50
581-1500	1,500	32	6	φ 10 × 50
581-2000	2,000	44	9	φ 12 × 68
581-3000	3,000	50	10	φ 12 × 68

Scale Holder

Stock No.560



B-1

B-2

This is designed to be used as a height gauge.

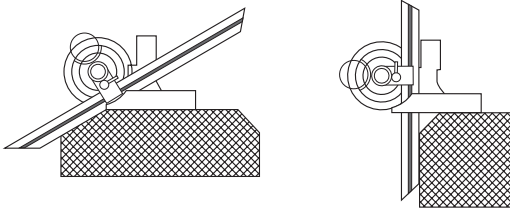
Unit = mm

Code #	Size	Height	Base Size	Net Weight (kg)
			Height × Width × Depth	
560-B1	B-1	300	70 × 60 × 70	1.2
560-B2	B-2	480	100 × 100 × 120	2.8
560-B3	B-3	700	100 × 100 × 120	4.5

Universal Bevel Protractor

Stock No.495

- 495-DQ Traceability
- 495-DA Traceability

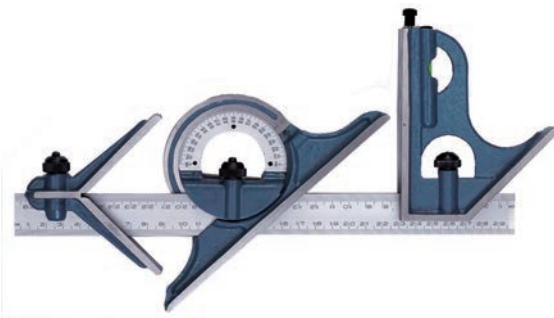


- Minimum scale of vernier is 5' (=1/12°)
- To read scale easily, a magnifying glass is attached.
- Two sizes of blades are attached. 150mm and 300mm.

Code #	Model	Squareness of Blade (μm)	Parallellness of Blade (μm)	Net Weight (kg)
495-DQ	495-D (Hardened)	10	10	0.62
495-DA	495-D (ClassA)	10	10	
495-DB	495-D (ClassB)	30	30	

Combination Set

Stock No.589



- This enables marking-off, measuring angle, and square at once.
- The ruler has a scale marked in every 0.5mm and 1mm.

Code #	Size (mm)	Net Weight (kg)
589-300	300	1.0

Micrometer Stand

Stock No.565

- Type-S and Type-Y can fasten in 0~25mm.
- Type-R can fasten in 200mm.



565-R



565-Y



565-S

Code #	Model	Net Weight (kg)
565-R	R	0.9

Code #	Model	Net Weight (kg)
565-Y	Y	0.8

Code #	Model	Net Weight (kg)
565-S	S	0.6

JIS factory No.JQ 0308011



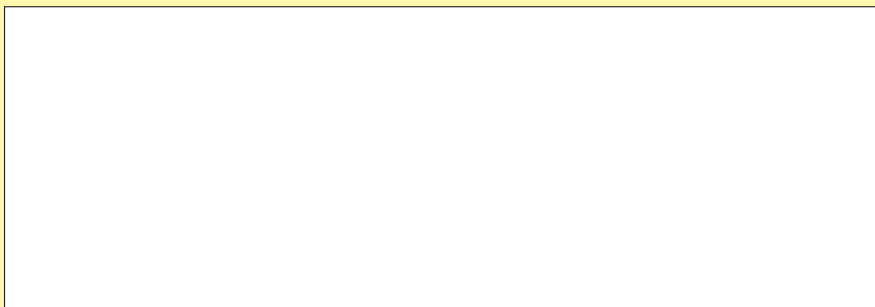
NIIGATA RIKEN SOKUHAN CO.,LTD.

700-41 Nakayama, Kawaguchi, Nagaoka city Niigata prefecture, 949-7503, Japan.

TEL : +81-258-89-4141

FAX : +81-258-89-4300

E-mail : n.rsk@topaz.ocn.ne.jp



This catalog is issued April 2014.

Due to circumstances, specifications or/and exterior might be changed.

Production might be stopped without any notice.